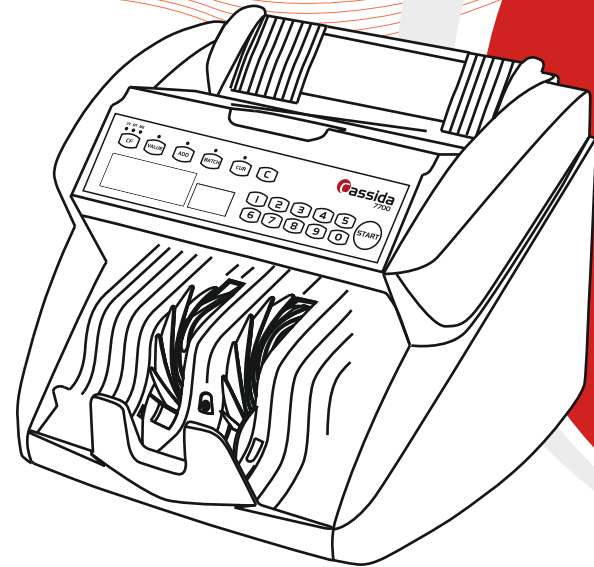


Cassida[®]
USA



USER MANUAL

CASSIDA 7700 PROFESSIONAL BILL COUNTER
FOR RETAIL WITH ValuCount™

Designed by Cassida Corporation, USA
Assembled in China

©Copyright 2014 Cassida Corporation. All rights reserved.
Specifications subject to change without notice. Cassida is a registered trademark of Cassida Corporation.

This manual contains important information on safety measures and operational features. Please read it carefully before operating this unit, and keep it for future reference.

Table of contents:

1. Introduction

| | |
|---------------------------------|----|
| 1.1 About the Cassida 7700..... | 6 |
| 1.2 Box contents..... | 6 |
| 1.3 Front and rear view..... | 7 |
| 1.4 Control panel..... | 9 |
| 1.5 Specifications..... | 11 |
| 1.6 Important safety notes..... | 12 |

2. Getting started

| | |
|------------------------|----|
| 2.1 Powering up..... | 13 |
| 2.2 Loading bills..... | 13 |

3. Operating Modes

| | |
|---|----|
| 3.1 Counting..... | 14 |
| 3.1.1 Simple count mode..... | 14 |
| 3.1.2 ValuCount™ (Single value count mode)..... | 15 |
| 3.2 Batch mode..... | 15 |
| 3.3 Adding mode..... | 16 |
| 3.3.1 ADD + Simple count mode..... | 16 |
| 3.3.2 ADD + ValuCount™..... | 16 |
| 3.3.3 ADD + Batch mode..... | 17 |

4. Detection Features

| | |
|---------------------------------------|----|
| 4.1 Count error detections..... | 17 |
| 4.1.1 DD (Double bill detection)..... | 17 |
| 4.1.2 HLF (Half bill detection)..... | 18 |
| 4.1.3 CHN (Chain bill detection)..... | 18 |

| | |
|---------------------------------------|----|
| 4.2 Counterfeit detections..... | |
| 4.2.1 UV (Ultraviolet detection)..... | 18 |
| 4.2.2 MG (Magnetic detection)..... | 19 |

5. Maintenance and Troubleshooting

| | |
|------------------------------|----|
| 5.1 Maintenance..... | 20 |
| 5.2 Troubleshooting..... | 21 |
| 5.3 Warranty..... | 22 |
| 5.4 Contact information..... | 23 |

1. INTRODUCTION

1.1 About the Cassida 7700

Thank you for choosing the Cassida 7700 single value counter. We hope you enjoy using it.

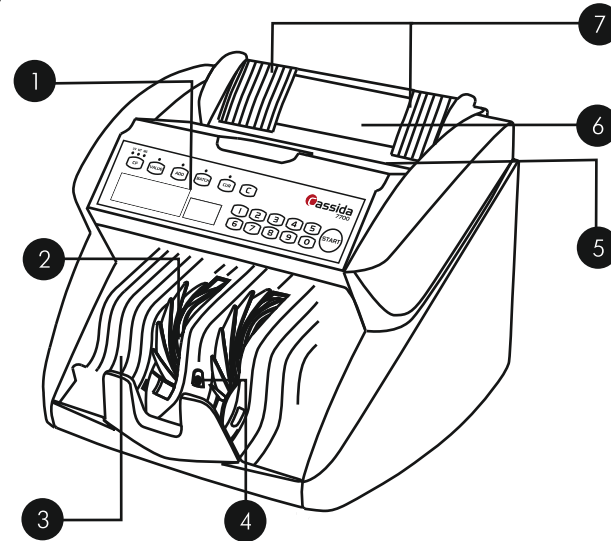
- The Cassida 7700's uniquely engineered mechanism incorporates the advantages of both backloading and frontloading machines allowing for precision counting of even worn bills.
- Engage the ValuCount™ mode and you'll get a grand total of the bills counted, as well as the total and number of bills in each denomination. All these features come together with a built-in count error detection system that uses SD, DD, HLF and CHN parameters. The advanced counterfeit detection system uses UV (and MG for 7700UV/MG models) ink detection, alerting users immediately when suspicious bills are detected.
- A user-friendly interface makes this currency counter an invaluable tool in everyday money processing tasks.
- With a built-in self-checking system and advanced software designed to prevent user errors, the Cassida 7700 is a valuable assistant you can rely upon in any type of cash intensive environment.

1.2 Box contents

- Cassida 7700 single value counter
- Power cord
- Spare parts kit (optional)
- User manual

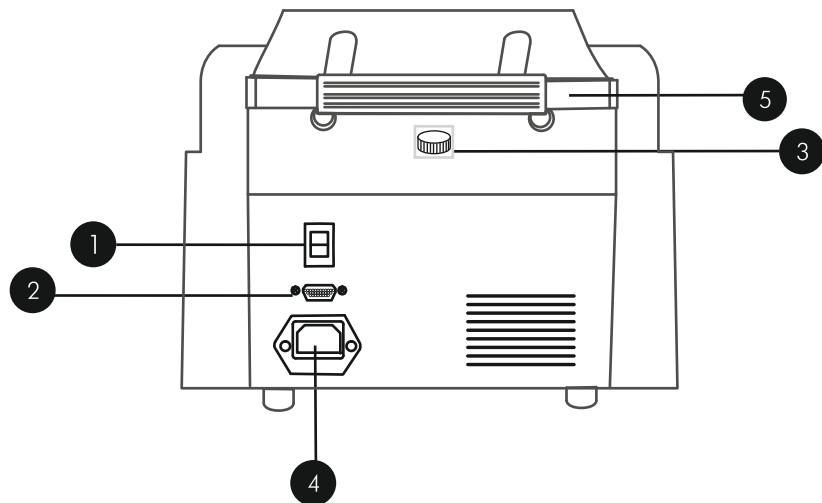
1.3 Front and rear views

Front view



1. Control panel
2. Stacking rollers
3. Stacker
4. Stacker sensor
5. Hopper sensor
6. Hopper
7. Guide for counting bills

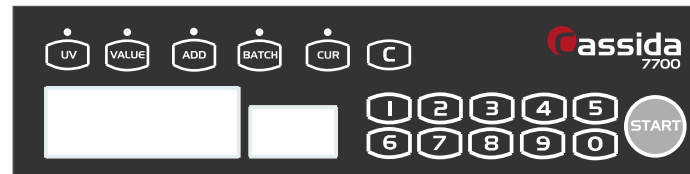
Rear view



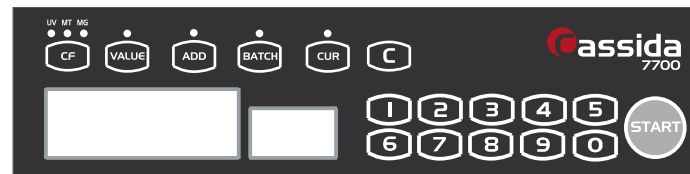
1. Power switch
2. External display connection port
3. Thickness adjustment screw
4. Power plug
5. Carrying handle

1.4 Control Panel

7700 UV Model



7700 UV/MG Model



- | | |
|--------------|---|
| UV or CF Key | — Counterfeit detection key. Indicator lights up when detections are active. |
| Value Key | — Single value counting mode selection key. Indicator lights up when ValuCount™ mode is active. |
| Add Key | — Add mode selection key. Indicator lights up when Add mode is active. |
| Batch Key | — Batch mode selection key. Indicator lights up when Batch mode is active. |
| CUR | — Currency selection key. |
| C Key | — Clears one or both display screens, depending on the mode. Also deactivates the Batch mode and ValuCount™ mode. |
| Keypad | — Used to enter custom batch quantity. |
| Start Key | — Start and restart operating key or cleaning key in Simple count mode, ValuCount™ mode |

Display



Left side screen - Total Number or Total Value: Total amount of counted bills in the previous stack or total value of counted bills for a user-defined denomination in mode (ValuCount™)

Right side screen - Total number or Denomination:

- Selected currency
- Selected denomination and after it total amount of counted bills in Single value bill counting mode (ValuCount™)
- Selected number of bills in Batch mode
- Total amount of counted bills in the last stack in Add mode
- Error code

1.5 Specifications

| | |
|----------------------------|--|
| Counting speed: | 1000 bills/min |
| Hopper capacity: | 200 bills |
| Stacker capacity: | 200 bills |
| Applicable bill thickness: | 0.06-0.12mm |
| Size of countable bills: | 50x100 - 100x182mm (2" x 4" - 4" x 7.2") |
| Value range: | 5, 10, 20, 50, 100, 200, 500, 102 (= 1000) |
| Batch range: | 10, 20, 25, 50, 100 or from 1 to 999 |
| Display: | LED 4/3 |
| Detections: | DD, HLF, CHN, SD, UV (UV and MG for 7700 UV/MG) |
| Power supply: | AC220V/50HZ or AC110V/60HZ |
| Power consumption: | 45W |
| Size: | 279x272x210mm (11"w x 10.7"d x 8.3"h) |
| Weight: | 6 kg (13 lbs) |
| Operating humidity: | 30% - 80% |
| Ambient temperature: | 32F - 104F (0 - 40C) |

1.6 Important Safety Notes

When using this unit, basic safety precautions should always be observed, including the following:

- Read this manual before operation
- The manual should be available to operator
- Do not use this unit in areas where it may be exposed to water or any other liquids
- Make certain the unit is installed on a flat surface. Do not operate the machine in areas with high temperature, humidity or smoke, as these conditions may prevent proper operation.
- This unit is designed for indoor use in a ventilated environment. Keep the machine away from direct sunlight or strong directional interior lighting and strong magnetic fields. These could interfere with the counterfeit detection sensors.
- During operation, do not touch the moving parts of the unit
- Avoid foreign objects, paper clips, and staples
- Avoid dropping the unit
- When finished be sure there are no bills in the hopper or transport system
- When not using the unit for an extended period of time, disconnect the power cord from the wall outlet
- Unplug the unit from the wall outlet before cleaning. Use a damp cloth or specifically designed maintenance accessories such as an air duster, soft bristle brush, or cleaning cards.
- To avoid the risk of electrical shock, do not disassemble this unit. Disassembly will expose you to dangerous voltages and other safety risks. Incorrect reassembly can cause electrical shock when the appliance is subsequently used.
- Clean the unit regularly
- Take the unit to a qualified technician when service or repair is required. Do not try to replace any parts yourself. Supplied spare parts are intended for use by qualified repair personnel only.

Remember the manufacturer is in no way responsible for damage to the unit or injury to the operator in the event of incorrect operation/care of the unit.

2. GETTING STARTED

2.1 Powering up

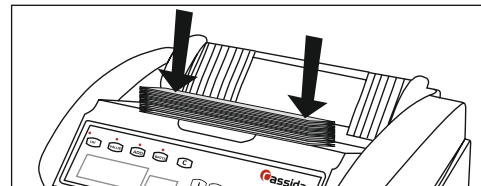
After ensuring the hopper is empty, turn the power switch ON. The machine will conduct a self-check by spinning the counting wheels several times. The large screen will display "0" when the machine is ready.

2.2 Loading the hopper

It is very important to place the bills into the hopper correctly, because the counting process and the speed are highly affected by the arrangement of the bills. Bills should be placed in a neat stack prior to being placed into the hopper.

Adjust the hopper brackets to a size slightly wider (2-3mm on each side) than the width of the bills in the stack. This will help you correctly place the bills in the hopper, and will ensure smooth bill feeding.

Square the stack of bills. Using two hands, place bills flat on the hopper platform.



Caution: Remove hands immediately as the machine begins processing. Flippers will orient the bill stack into the vertical position.

Caution: Do not force flippers down from the position up.

Please, avoid counting bills that are wet, excessively dirty, spoiled, folded, curled or with foreign material like clips, bands, etc.

It will damage and cause malfunction of the machine.

3. OPERATING MODES

3.1 Counting

To count the bills, place them in the hopper (follow the procedure described in 2.2 Loading bills).

The machine will automatically start to count bills when the hopper sensor detects a bill in the hopper. While counting, the machine will display the number of bills on the LED display. The machine will stop operating and emit a confirmation beep under the conditions described below:

- + No bills in the hopper
- + The number of bills counted is the same as the batch number set in BATCH mode
- + Errors have occurred

Remove the counted number from the stacker and place more bills into the hopper. The screen will clear itself of previous count before the machine starts counting the new stack.

Be sure not to accumulate more than the stacker can hold as this will cause jamming and may lead to a motor failure.

Selecting currency:

To choose a currency, press the CUR button. The machine will automatically activate the levels of sensitivity of size and density detections in accordance with the chosen currency. The screen will display abbreviation of a currency:

AED - UAE Dirham
 USD - US Dollar
 EUR - Euro

• 3.1.1 Simple count mode

This mode can be used for various currencies.

This mode is used to count the total number of the bills.

- After the machine is turned on, it defaults to Simple count mode. To switch to Simple count mode from another mode (Add or Batch), deactivate the mode you were previously using. The unit will automatically revert to Simple count mode.

- To count and control the presence of suspicious bills in the stack, it is possible to switch on counterfeit detection system which uses UV (and MG for Cassida 7700 UV/MG model only) ink detection and alert user immediately for any suspicious bill.
- To clean the display in this mode, press START key or C key.

• 3.1.2 ValuCount™ (Single value count mode)

This mode can be used for various currencies.

This mode is used to calculate and display the total value of counted bills for the determined by user denomination.

The Cassida 7700 uses a user-defined bill denomination as a multiplier and displays the total value of bills counted.

For example, a denomination of \$10 x 25 bills = 250 displayed.

- To start this mode, press VALUE key. The Value indicator LED is on. A desired denomination value may be selected by pressing VALUE key several times. After selecting the desired denomination, load the bills to be counted into the hopper. **Ensure that the denomination value of the bills matches the selected denomination.** The Cassida 7700 counts the stack and displays the total value bills for a user-defined denomination on the left side screen and shows the total number of the bills on the right side screen.
- To exit this mode or/and clean the display, press START key or C key.

3.2 Batch mode

This mode is used to count a preset number of bills and then stops counting, even if bills remain in the hopper. This mode can be used for various currencies. To start this mode press BATCH key until BATCH indicator is on. Use the numeric keypad to enter the desired amount or press BATCH key several times to select a desired denomination.

The machine will start counting automatically once bills are placed in the hopper. As soon as the machine counts the desired batch number it will stop and emit a confirmation beep. The screen will show number of bills in the counted batch. When stacker is emptied machine will automatically start counting to preset batch number again.

If the number of counted bills in the stacker does not reach the preset batch number, the screen will alert you by blinking the actual number counted.

If you want to complete the batch, just place more bills in the hopper keeping counted bills in the stacker and the unit will automatically count the required number of bills to finish the batch.

Changing the batch quantity:

To change the batch quantity, wait until the machine completes the current batch. Enter the new batch quantity using the numeric keypad or pressing BATCH key several times.. Please be sure to empty the stacker before placing new bills in the hopper.

If the previous batch was completed, the machine will automatically start counting to the newly set batch quantity once the stacker is emptied.

To clean the display in this mode empty the stacker or press C key.

3.3 Adding Mode

This mode can be used for various currencies.

This mode is used to count multiple stacks of bills while keeping track of total amount of bills counted.

To start this mode, press ADD key until ADD indicator is on.

• 3.3.1 ADD + Simple count mode

This mode can be used for various currencies.

- Place the bills in the hopper. The machine will start counting automatically. The machine will emit a confirmation beep once the count is completed. The number of bills counted will be displayed on the LED screen.

- Refill the hopper with emptying the stacker - the machine will continue counting and adding.
- Be sure not to accumulate more than the stacker can hold (200 new bills or 150 old bills), as this will cause jamming and may lead to a motor failure.
- Right side screen shows the number of bills in the last counted stack. Left side screen shows the total number of all counted bills.

• 3.3.2 ADD + ValuCount™

This mode can be used for various currencies.

- This mode is used to count the different total value of stacks of different single denominations and receive the grand total value of all counted bills.

- To start this mode, press ADD key. ADD indicator is on. Press VALUE key to enter Single value bill count mode and then use VALUE key to select the desired denomination.

- The denomination value may be changed at any time by pressing VALUE key. The machine will start calculating the value of the new selected denomination adding it to the grand total value.

After lowest denomination has been counted, record the information. Then, press the VAL button until 0 (zero) appears. The value mode will reset, the VAL indicator light will turn off, the tally will clear and a new value count session may begin.

• 3.3.3 Add + Batch mode

This mode can be used for various currencies.

- This mode batches the desired quantity of bills and monitors the running total at the same time. To activate this mode, press the ADD and BATCH keys until the ADD and BATCH indicators are both on. Use the keypad to enter the desired batch amount or press BATCH key several times.

- The total number of bills counted will appear on the left side screen. The last batch count will be displayed on the right side screen. If the batch is incomplete the right side screen blinks with the number of the bills in the last count.

4. DETECTION FEATURES

4.1 Count error detections

• 4.1.1 DBL (Double bill detection)

Bills may stick to each other due to excessive dirt, folding or various other reasons. The Cassida 7700 uses infrared light (IR) based technology to determine when two bills are stuck together. This feature is activated automatically in all modes.

The machine will start beeping and stop counting when a double bill is detected and a "DBL" message will be displayed. The machine will continue to alert the user until action is taken. To clear the error, all bills must be removed from the stacker. The screen will automatically reset. All bills in the stacker must then be placed back in the hopper and recounted.

The "DBL" level can be adjusted to accommodate various currencies. When this option is required, contact an authorized Cassida service center or email Cassida Technical Support.

Double bill detection in adding mode:

When in adding mode the machine enables you to continue counting by automatically correcting the total number of counted bills on screen. Move all bills from the stacker to the hopper for recounting.

• 4.1.2 HLF (Half bill detection)

Cassida 7700 incorporates infrared light (IR) sensors that notify users if a half note passes through the counting mechanism. This feature is activated automatically in all modes for your convenience.

The machine will beep and stop counting when a half note is detected and a "HLF" message will be displayed on the screen. Move all bills from the stacker to the hopper for recounting.

Half bill detection in adding mode:

When in adding mode the machine enables you to continue counting by automatically correcting the total number of counted bills on screen. Move all bills from the stacker to the hopper for recounting.

• 4.1.3 CHN (Chain bill detection)

The Cassida 7700 utilizes a self-checking system that alerts you in rare cases when several notes pass through the counting mechanism at once. This feature is activated in all modes. The machine will stop automatically when a chain bill is detected and will emit a beep. A "Chn" message will be displayed. To clear the error, remove all bills from the stacker and move them back to the hopper for recounting.

When in adding mode the machine enables you to continue counting by automatically correcting the total number of counted bills on screen. Move all bills from the stacker to the hopper for recounting.

4.2 Counterfeit detections

• 4.2.1 UV (Ultraviolet detection)

The Cassida 7700 is able to check for counterfeit bills using ultraviolet (UV) light. This function is available in all modes. Press the UV or UV/MG key until the UV indicator appears on the LED screen.

The machine beeps two times and stops counting when a suspicious bill is detected and a UV message flashes on the screen. The machine will continue to alert the user until action is taken. To continue counting, remove the suspicious bill (which will be the last one in the stacker) and press the START key. The machine will start counting again and will not add the counterfeit bill to the count.

Please note that 7700, like all other counters with integrated detectors present on the market, can not guarantee a counted bill to be genuine or counterfeit. There are several reasons a genuine bill may be recognized as counterfeit or vice versa. Possible reasons include: direct sunlight exposure, a worn out bill, an excessively dirty bill or highly advanced counterfeiting techniques used to produce the bill. Separate equipment may be required to determine definitively whether or not a bill is counterfeit.

The UV level can be adjusted to accommodate various currencies. When this option is required, contact an authorized service center or email Cassida Technical Support.

• 4.2.2 MG (Magnetic detection)

The Cassida 7700 UV/MG is able to check for counterfeit bills using magnetic (MG) ink marks present in all US dollar denominations. This function is available in all modes. Press the UV/MG key to toggle between UV/MG, OFF and UV and MG mode. The MG indicator will be shown on the LED screen while the MG detector is enabled.

The machine will start beeping and stop counting when a counterfeit bill is detected and a MG message will be displayed. The machine will continue to alert the user until action is taken. To continue counting, remove the suspicious bill (which will be the last one in the stacker) and press the START key. The machine will start counting again and will not add the counterfeit bill to the count.

Please note that Cassida 7700 UV/MG counter, like all other counters with integrated detectors present on the market, can not guarantee a counted bill to be genuine or counterfeit. There are several reasons a genuine bill may be recognized as counterfeit or vice versa. Possible reasons include: direct sunlight exposure, a worn out bill, an excessively dirty bill or highly advanced counterfeiting techniques used to produce the bill. Separate equipment may be required to determine definitively whether or not a note is counterfeit.

The MG level can be adjusted to accommodate various currencies. When this option is required, contact an authorized Cassida service center or email Cassida Technical Support.

5. MAINTENANCE AND TROUBLESHOOTING

5.1 Maintenance



You should always turn the machine off and disconnect the power cord before cleaning the unit.

- Most operational problems can be avoided by regular care and preventative maintenance. Taking regular care of your currency counter will significantly increase its lifetime and help you avoid costly repairs.
To avoid problems:
 - Make sure there are no metal clips or rubber bands in the bills you are going to count;
 - Be sure to follow the proper procedure for loading the hopper, refer to part "2.2 Loading the hopper";
 - To get the best results out of your counter the following maintenance is recommended on a daily basis:
Use a Cassida air duster and a soft bristle brush to remove any dust or debris from the interior of the machine.
 - When not using your counter for an extended period of time, cover it with a drop cloth or plastic sheeting to prevent dust from settling inside.
- Complete maintenance service is recommended once every 3 months.

5.2 Troubleshooting

Error message display:

| Error code | Cause | Solution |
|--------------------------|--|---|
| UU | Suspicious FL level on the bill | Remove the last bill from the stacker and press START key to continue counting. The suspicious bill will not be added to the counting. Check the suspicious bill. |
| MG | Suspicious MG level on the bill | |
| dbl | Duplicated bill passed or passed bill was dirty, glued | Remove all bills from the counter and count again |
| Chn | 2 or more bills passed at the same time | |
| HLF | Half bill detected or bill passed incorrectly | Remove the bill and continue counting by pressing START key |
| dd | Passed bill was too short | |
| E 1 E 2 E 3 E 4 | Stacking sensors may have collected dust or there are bills in the stacker | Remove all bills from the counter. Clean the sensor with a soft bristle brush and compressed air. Refer to section 5.1. |

Other possible errors:

| Problem description | Cause/Action |
|---|---|
| Does not operate after turned on. | Ensure power cord is plugged in. Verify indicator light is lit on the DC power converter module. |
| Machine fails to detect a counterfeit note. | The UV sensor may have collected dust. Try cleaning the UV sensor by spraying the counting mechanism using compressed air. |
| Inaccurate counting | Feed gap is too wide. This may happen when brand new notes are counted, since their thickness differs greatly from used notes. Narrow the feed gap slightly by turning the feed gap adjustment screws counterclockwise. See section 1.3 "Rear view". Adjust 1 turn and retest. Repeat until the gap is properly adjusted. |

5.3 Warranty

Warranty is effective for a period of one year from the date of purchase. In most cases, the malfunction of the machine can be resolved by cleaning the unit.

- Customer should allow Cassida the time and opportunity to test and diagnose the machine to determine warranty and non-warranty claims.
- After receiving and unpacking the units, Customer shall keep the package and its user manual. Warranties are canceled in the event the device is transported in a nonoriginal packaging or operation/maintenance conditions are not met.
- Company is not responsible for unit malfunction due to improper maintenance, storage and transportation including mechanical damage.
- Manufacturer is entitled to introduce updated software, not described in the current user manual.

Non-warranty service:

Cassida can perform maintenance and cleaning for an extra fee. For a non-warranty repair or maintenance quotation, contact Cassida Technical Support.

Warranty service is not available in the following cases:

- Cleaning of the unit from dust and mud
- Absence of a warranty card or an incorrectly filed warranty card
- Operation or maintenance rules requirements set in the user manual are not met
- There is mechanical damage to the unit or the seal portions of the unit have been opened or tampered with
- There are foreign objects or liquid inside of the unit.

Shipping:

The warranty does not cover shipping cost to or from Cassida's Technical Service Center. Before shipping the unit to the Cassida's Technical Service Center the warranty card must be filled out with model full name and number, serial number, cause for service, errors occurred.

5.4 Contact information

Technical Support contact information:

e-mail: fabin.johny@cassida.me
 tel: 042 739 328
www.cassida.me, www.cassidausa.com

When contacting Cassida Technical Support, please have the following:

- Product model – Located on the back side of your currency counter
- Serial number – Located on the back side of your currency counter
- Nature of the problem – What happens, and when did it happen? Did the machine display an error message?
- Steps already taken to resolve the problem, and the results.

Office # 101,
 Biyat Complex (Landmarks: Emirates Billiard Centre)
 Hor Al Anz East, Behind Al Mamzar Centre
 Dubai - United Arab Emirates
 PO box 454867

